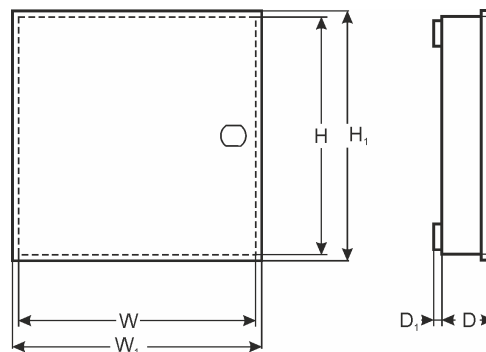


CODE: **AWO232 v1.5/II**
 NAME: **7/TRP40/PAR/L**



DESTINATION

PARADOX
 CENTROL PANELS:

7Ah:

- 1) (728 ULT, E55, E65, SP4000, 5500, 6000, 7000, EV048, 192, MG5000, 5050, PS17, ACM12) + 2x ZX8 (4xZX4, APR3- ADM2, APR3-HUB2, PGM4)

17Ah:

- 1) (728 ULT, E55, E65, SP4000, 5500, 6000, 7000, EV048, 192, MG5000, 5050, PS17, ACM12) + ZX4

TECHNICAL DATA

External dimensions of the enclosure:	W=320, H=305, D+D1=90+8 [+/-2 mm]
External dimensions of the front panel:	W1=325, H1=310 [+/-2 mm]
Weight net/gross:	3,30kg / 3,50kg [+/-0,1kg]
Battery space:	17Ah/12V Sealed Lead Acid (SLA)
Transformer:	TRP 40VA/16V/18V in the case of PC/ABC in class UL94-V0, IP30
Power supply:	230V/AC (-15%/+10%), 50Hz, 200mA (max.)
Power supply output:	U1=16V/AC or U2=18V/AC (-5%, +15%), I1=2,2A or I2=2,0A (max.)
Operating environment:	class II, -10°C+ 40°C
Material description:	sheet steel DC01, thickness: 0,7mm, protection anticorrosion, color: RAL 9003
Destination:	indoor
Tamper protection:	1 x microswitch: opening, 0,5A@50V/DC max. NC- contacts
Closing:	screwed x 4
Notes:	optional: lockable, distance from wall (mounting surface) - 8mm, easy door removal,
Declaration, warranty:	CE, 2 year from the production date